

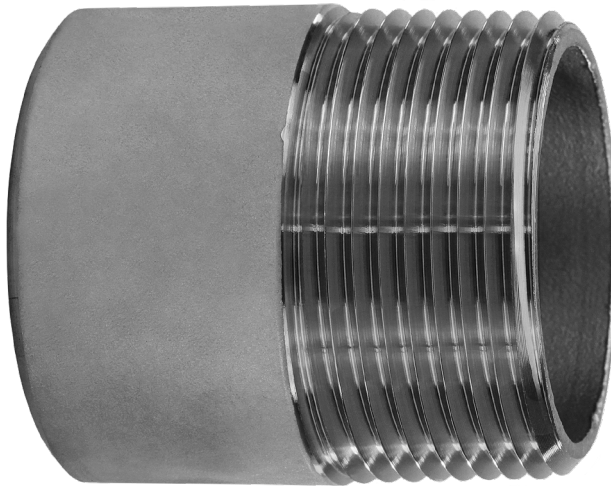


PIPE NIPPLES

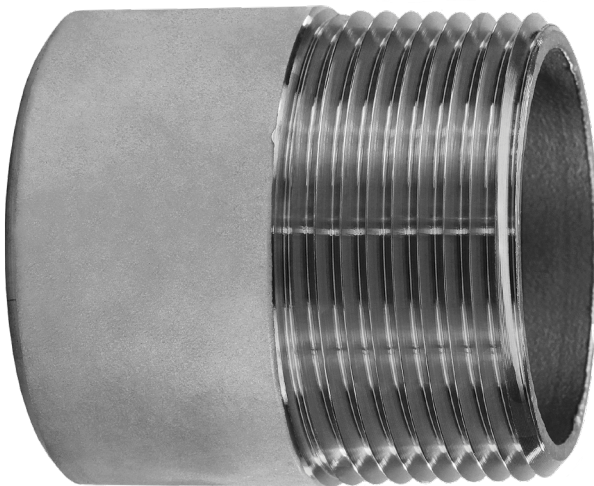
T.O.E. WELDING

FEATURES & APPLICATIONS:

- Thread on one end for welding to metal in 304 Stainless Steel & 316 Stainless Steel



304 Stainless Steel



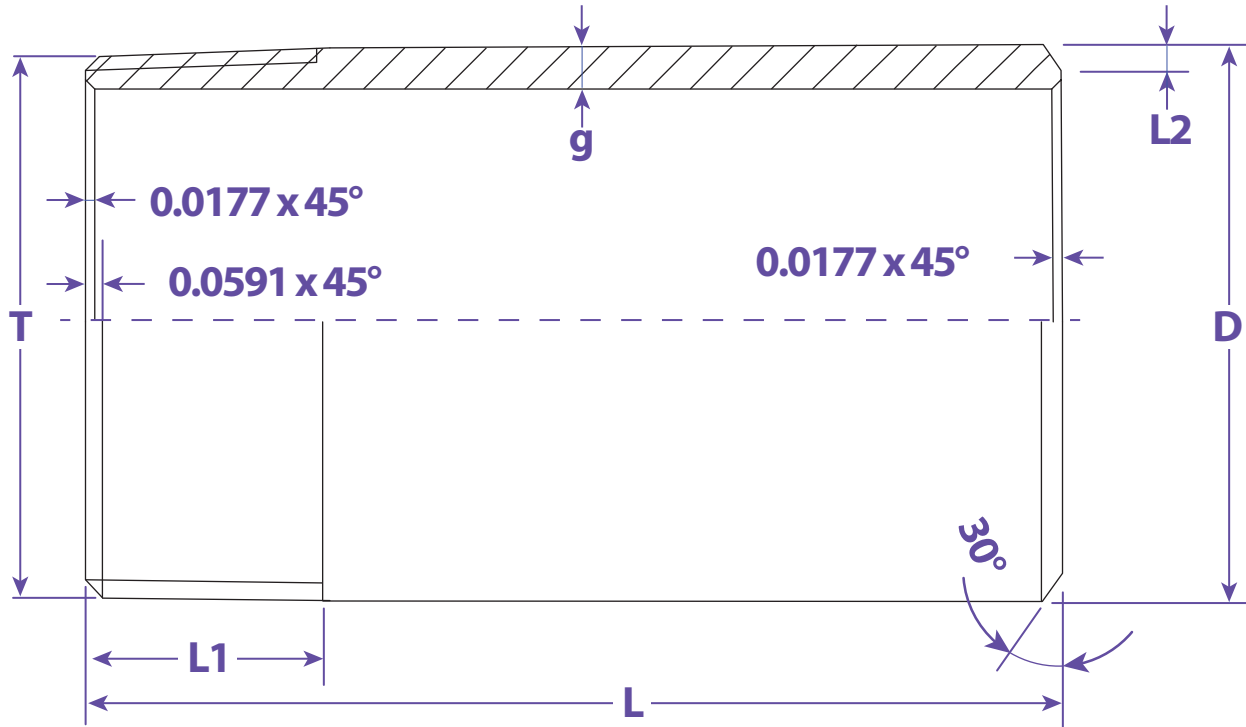
316 Stainless Steel

304 STAINLESS STEEL / 316 STAINLESS STEEL

SIZE	304 SS #	316 SS #
1/4"	T0250-04	T0250-16
3/8"	T0380-04	T0380-16
1/2"	T0500-04	T0500-16
3/4"	T0750-04	T0750-16
1"	T1000-04	T1000-16
1-1/4"	T1250-04	T1250-16
1-1/2"	T1500-04	T1500-16
2"	T2000-04	T2000-16
3"	T3000-04	T3000-16
4"	T4000-04	T4000-16



Information contained on this page is for general information purposes only. Seal Fast Inc. assumes no responsibility for errors or omissions for this product.



Dimensions						
T	L	D	g	L1	L2	Part #
1/4"	2"	0.54	0.0882	0.4724	0.0394	T0252-04, T0252-16
3/8"	1.5"	0.675	0.0909	0.4724	0.0472	T03815-04, T0382-16
3/8"	2"	0.675	0.0909	0.4724	0.0472	T0382-04, T0382-16
1/2"	2"	0.8543	0.1091	0.5906	0.0591	T0502-04, T0502-16
3/4"	1.5"	1.0709	0.1130	0.6299	0.0591	T075150-16
3/4"	2"	1.0709	0.1130	0.6299	0.0591	T0752-04, T0752-16
3/4"	3"	1.0709	0.1130	0.6299	0.0591	T0753-04, T0753-16
1"	2"	1.3386	0.1331	0.7874	0.0787	T1002-04, T1002-16
1"	3"	1.3386	0.1331	0.7874	0.0787	T1003-04, T1003-16
1-1/4"	2"	1.6811	0.1402	0.8268	0.0866	T1252-04, T1252-16
1-1/2"	2"	1.9134	0.1449	0.8268	0.0866	T1502-16
1-1/2"	2.5"	1.9134	0.1449	0.8268	0.0866	T15025-04, T15025-16
1-1/2"	3"	1.9134	0.1449	0.8268	0.0866	T1503-04, T1503-16
2"	2"	2.3819	0.1539	0.9055	0.0866	T2002-04, T2002-16
2"	2.5"	2.3819	0.1539	0.9055	0.0866	T20025-04, T20025-16
2"	3"	2.3819	0.1539	0.9055	0.0866	T2003-04, T2003-16
2"	4"	2.3819	0.1539	0.9055	0.0866	T2004-04, T2004-16
2"	6"	2.3819	0.1539	0.9055	0.0866	T2006-04, T2006-16
2-1/2"	3"	2.875	0.2031	1.2598	1.1260	T2503-04, T2003-16
3"	3"	3.5	0.2161	1.3386	0.1378	T3003-04, T3003-16
3"	4"	3.5	0.2161	1.3386	0.1378	T3004-04, T3004-16
4"	4"	4.5	0.2370	1.4370	0.1575	T4004-04, T4004-16

TITLE PIPE NIPPLES - T.O.E. WELDING

DISCLAIMER

All drawings and specifications are subject to change without notice. Drawings represent general dimensions of our products. Seal Fast cannot guarantee the dimensions of the part will exactly match those in the drawing. This drawing is the property of Seal Fast Inc. Copying or reproduction of this drawing is expressly prohibited.

MATERIAL

T0000-04 Stainless Steel Tube 316
T0000-16 Stainless Steel Tube 304

DRAWING NOT TO SCALE

PART # TO...04, 16

